



Smart Transmitter/Gas Detector Head

SD-10X

(TYPE HS)

Operating Manual

(PT2E-177)

(PT2-177)

RIKEN KEIKI Co., Ltd.

2-7-6 Azusawa, Itabashi-ku, Tokyo, 174-8744, Japan

Phone : +81-3-3966-1113

Fax : +81-3-3558-9110

E-mail : intdept@rikenkeiki.co.jp

Web site : <https://www.rikenkeiki.co.jp/english/>

Operating Precautions

This detector is an oxygen deficiency detector that detects oxygen in the air and triggers an oxygen deficiency alarm.

The oxygen deficiency detector is a safety unit, not an analyzer or densitometer which performs quantitative/qualitative analysis/measurement for oxygen.

Please fully understand the following points before using it, so that it can be used properly.

1. The readings of the detector fluctuate slightly in response to changes in the air pressure.
In particular, be careful of alarm activation when a low air pressure is brought in by typhoon. In addition, it may be fluctuated by environmental (temperature, humidity etc.) changes in the installation site.
2. The alarm must be set within a range where the performance of the detector can be ensured.
The standard alarm setpoint value is 18 vol%.
3. If use in safety unit, the analog signal output of the detector must be used for an indicator or external recorder.
If these outputs are used to control other units, we shall not be responsible for any malfunctions.
If use as safety instrumentation device, determine the specification and manage it based on the safety manual.
4. For maintenance of the detector, it must go through a regular maintenance, including replacement and adjustment of the regular replacement parts as specified in the operating manual. In addition, because this is a safety unit, it is recommended that a regular maintenance and span adjustment are performed every six months.
5. This detector is SIL2 certified for single application. SIL 2 is Safety Integrity Level by safety instrumentation functioning omni-PFD avg .If use as safety instrumentation device, determine the specification and manage it based on the safety manual.

<Contents>

1 Outline of the Product.....	2
1-1. Preface.....	2
1-2. Purpose of use.....	2
1-3. Definition of DANGER, WARNING, CAUTION and NOTE.....	2
1-4. Method of confirmation for Standards and Explosion proof specification.....	3
2 Important Notices on Safety.....	4
2-1. Danger cases.....	4
2-2. Warning cases.....	5
2-3. Precautions.....	6
2-4. Safety Information.....	7
3 Product Components.....	9
3-1. Main unit and standard accessories.....	9
3-2. Names and functions for each part.....	10
3-3. Block diagram.....	11
4 How to Use.....	12
4-1. Before using the gas detector.....	12
4-2. Precautions for installation sites.....	12
4-3. Precautions for system designing.....	13
4-4. How to install.....	14
4-5. Installation procedure.....	16
4-6. How to wire.....	18
5 How to Operate.....	22
5-1. Preparation for start-up.....	22
5-2. Basic operating procedures.....	22
5-3. How to start the gas detector.....	23
5-4. Modes.....	24
5-5. Maintenance mode(User).....	25
5-6. How to exit.....	27
6 Operations and Functions.....	28
6-1. Alarm activation.....	28
6-2. Fault alarm activation.....	29
6-3. Warning activation.....	29
6-4. External output operation.....	30
6-5. Other functions.....	31
7 Maintenance.....	32
7-1. Maintenance intervals and items.....	32
7-2. Proof test.....	34
7-3. Parts replacement.....	34
8 Storage, Relocation and Disposal.....	35
8-1. Procedures to store the gas detector or leave it for a long time.....	35
8-2. Procedures to relocate the detector or use it again.....	35
8-3. Product disposal.....	35
9 Troubleshooting.....	36
10 Product Specifications.....	38
10-1. List of specifications.....	38
10-2. Detection principle.....	46
11 Definition of Terms.....	47

1

Outline of the Product

1-1. Preface

Thank you for choosing our smart transmitter/gas detector head SD-10X(TYPE HS). Please check that the model number of the product you purchased is included in the specifications on this manual.

This manual explains how to use the detector and its specifications. It contains information required for using the gas detector properly. Not only the first-time users but also the users who have already used the product must read and understand the operating manual to enhance the knowledge and experience before using the detector.




Product specifications may be abbreviated in this document as follows.

- Japan Ex specification : Japan specification
- ATEX / IECEx specification : Export specification

1-2. Purpose of use

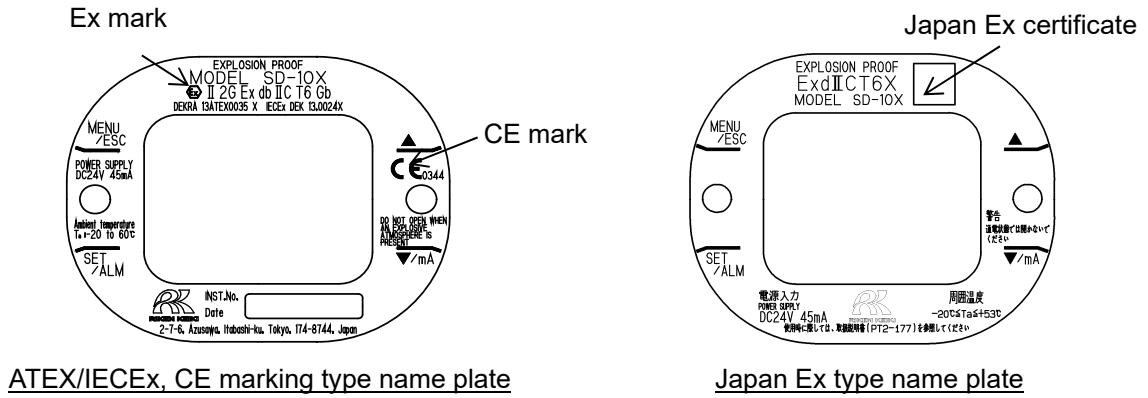
- This detector is a fixed type gas detector head that detects oxygen and performs the alarm activation when the gas concentration is over the setting value.
- The detector detects abnormalities in the air caused by presence of gases or other reasons (leak) with the built-in gas sensor. The concentrations of detected gases are displayed on the seven-segment LED.
- The detector outputs gas concentration in 4 – 20 mA.
- The detector has HART communication function.
- The detector is a safety unit, not an analyzer or densitometer which performs quantitative/qualitative analysis/measurement for gases. Please fully understand the features of the detector before using it, so that it can be used properly.

1-3. Definition of DANGER, WARNING, CAUTION and NOTE

 DANGER	This message indicates that improper handling may cause serious damage on life, health or assets.
 WARNING	This message indicates that improper handling may cause serious damage on health or assets.
 CAUTION	This message indicates that improper handling may cause minor damage on health or assets.
NOTE	This message indicates advice on handling.

1-4. Method of confirmation for Standards and Explosion proof specification

The product specifications will vary depending on the specific standards and explosion-proof certification. Check the actual product specifications before use. You can confirm instrument specification to see name plate as follows.



2

Important Notices on Safety

2-1. Danger cases



DANGER

About explosion-proof

- The window plate material is a polycarbonate resin. Do not use organic solvents and alkali types (liquid or vapor). It may cause the color and shape of the window plate to be changed.
- Do not open the lid when applying current.
- Do not attempt to repair the detector.
- For the lid, use hexagon socket head bolts specified by RIKEN KEIKI.
- Do not apply a strong force or shock to the window plate. The explosion-proof performances may be deteriorated due to damages. The explosion protection condition for the detector is "low (2J)" possibility of mechanical damage.
- Ambient temperature:
Export Specification: -20 to +60°C
Japan Specification: -20 to +53°C
(The ambient temperature on explosion-proof certification is described above and it indicates the temperature range which can maintain the explosion-proof performance and not the product performance, see "10-1. List of specifications" for details.)
- Do not replace parts at your sole discretion but contact RIKEN KEIKI if the transparent window has a crack or the explosion-proof joint surface is abnormal, or the clamping screw or bolt is changed, lost etc.
- Do not repair the explosion-proof joint surface.
- Be careful not to hit sharp tools against the window plate.

2-2. Warning cases



WARNING

Power supply

Before turning on the detector, always check that the voltage is properly applied. Do not use an unstable power supply because it may cause malfunctions.

Need of grounding circuit

Do not cut the grounding circuit or disconnect the wire from the grounding terminal.

Defects in protective functions

Before starting the detector, check the protective functions for defects. When seeming defects are found in the protective functions, such as protective grounding, do not start the detector.

External connection

Before connecting the detector to the external control circuit, securely connect it to a protective grounding circuit.

Span adjustment(AIR adjustment) in atmosphere

When the span adjustment(AIR adjustment) is performed in the atmosphere, check the atmosphere for freshness before beginning the adjustment. If interference gases exist, the adjustment cannot be performed properly, thus leading to dangers when the oxygen concentration fluctuates.

Response to gas alarm

Issuance of a gas alarm indicates that there are extreme dangers. Take proper actions based on your judgment.

2-3. Precautions



CAUTION

Do not use a transceiver near the detector.

Radio wave from a transceiver or other radio wave transmitting device near the detector or its cables may disturb readings. If a transceiver or other radio wave transmitting device is used, it must be used in a place where it disturbs nothing.

To restart the detector, wait for five seconds or more before doing it.

Restarting the detector in less than five seconds may cause errors.

Do not use the external output of the detector to control other units.

This is not a control unit. It is not allowed to use the external output of the detector to control other units.

Do not disassemble/modify the detector, or change the settings if not necessary.

Disassembling/modifying the detector will invalidate the warranty of the performance. Changing the settings without understanding the specifications may cause alarm malfunctions. Please use the detector properly in accordance with the operating manual.

Avoid applying organic solvents and others to the window plate for a long time.

The window plate material is a polycarbonate resin. When organic solvents (liquid or highly-concentrated vapor) and others are applied to the plate for a long time, its color and shape may be changed.

Never fail to perform a regular maintenance.

Since this is a safety unit, a regular maintenance must be performed to ensure safety. Continuing to use the detector without performing a maintenance will deteriorate the sensitivity of the sensor, thus resulting in inaccurate gas detection.

2-4. Safety Information

Necessary information for explosion proof construction of Model SD-10X.

The Model SD-10X is a fixed mount, continuous-monitoring detector head and provides a 4-20mA signal which indicates the target gas reading for use by a gas monitoring controller, recording device, or programmable controller.

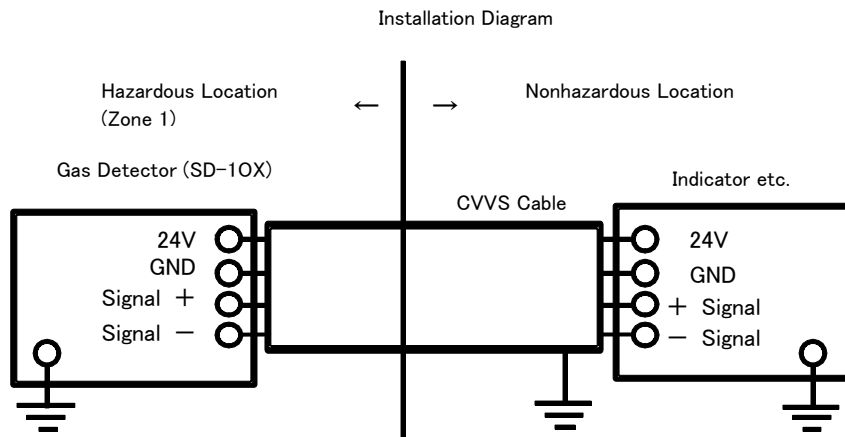
<ATEX/IECEX Specification>

Technical Data

(Protection Method)	Flameproof enclosure “d”
(Certificate Numbers)	IECEX DEK 13.0024X DEKRA 13ATEX0035 X
(Group)	II
(Category)	2 G
(Type of Protection and Marking code)	Ex db IIC T6
(Equipment Protection Level)	Gb
(Ambient Temperature)*	-20°C to +60°C
(Electrical Data)	Supply voltage: 24VDC±10% 45mA Output signal (4 to 20 mA): 24VDC 22mA
(Applicable Standard)	IEC 60079-0: 2017, IEC 60079-1: 2014-06 EN IEC 60079-0: 2018, EN 60079-1: 2014
(Manual Number)	PT2E-177

* The ambient temperature on explosion-proof certification is described above and it indicates the temperature range which can maintain the explosion-proof performance and not the product performance, see “10-1. List of specifications” for details.

Installation



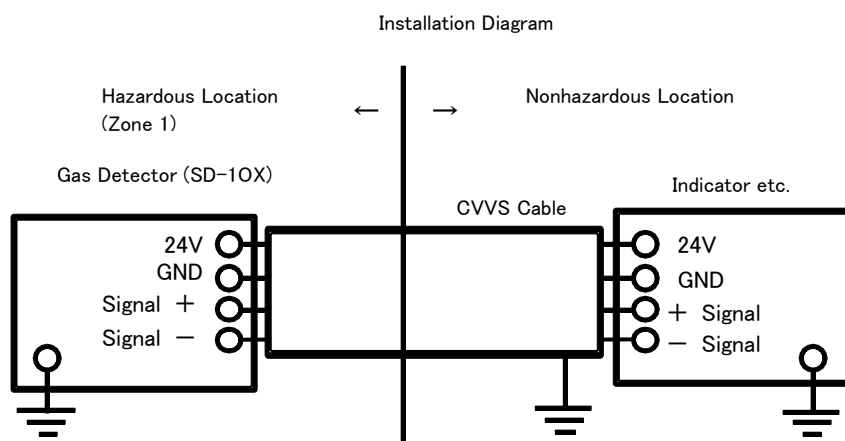
<Japan Ex Specification>

Technical Data

(Protection Method)	Flameproof enclosure
(Explosion-proof class)	Ex d IIC T6X
(Ambient Temperature)*	-20°C to +53°C
(Electrical Data)	Supply voltage: 24VDC ± 10% 45mA
	Detecting element output signal: 0.1VDC 0.2mA
	Analog signal output: 24VDC 22mA
(Applicable Standard)	JNIOSH-TR-NO. 43(2008)

*The ambient temperature on explosion-proof certification is described above and it indicates the temperature range which can maintain the explosion-proof performance and not the product performance, see “10-1. List of specifications” for details.

Installation

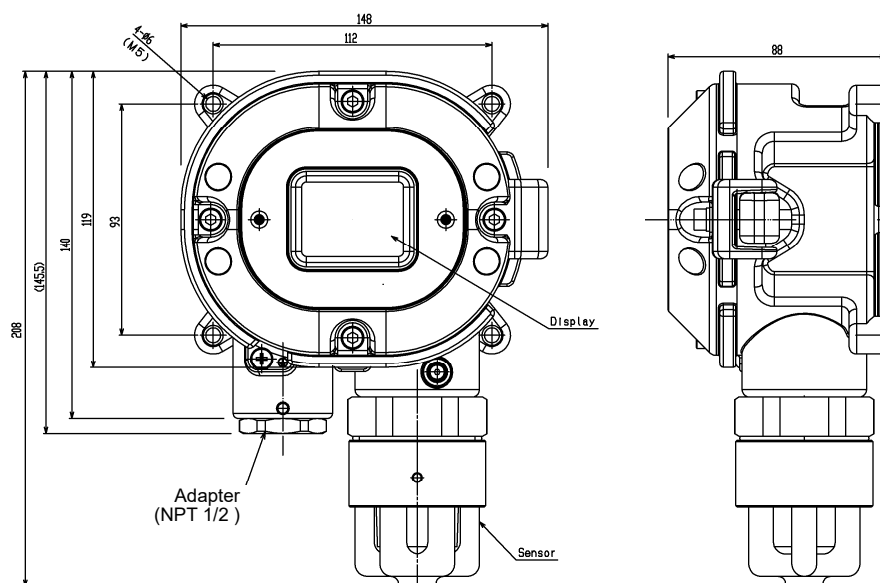


3

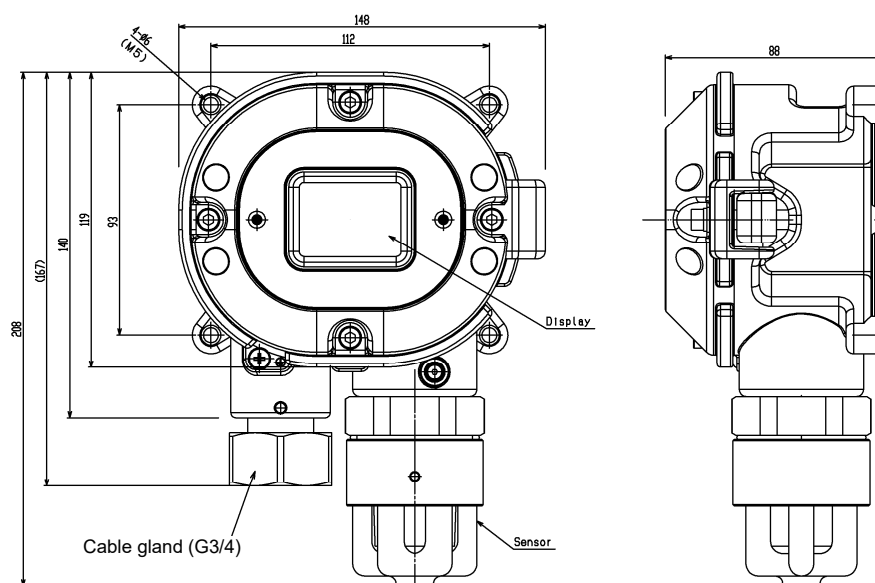
Product Components

3-1. Main unit and standard accessories

<Main Unit> (including a cable gland or an adapter)
【Export Specification】




【Japan Specification】



<Standard Accessories>

- Operating manual..... one
- Safety manual..... one
- Dedicated handling lever one
- Dedicated control key..... The supplied quantity depends on the number of units to be delivered.

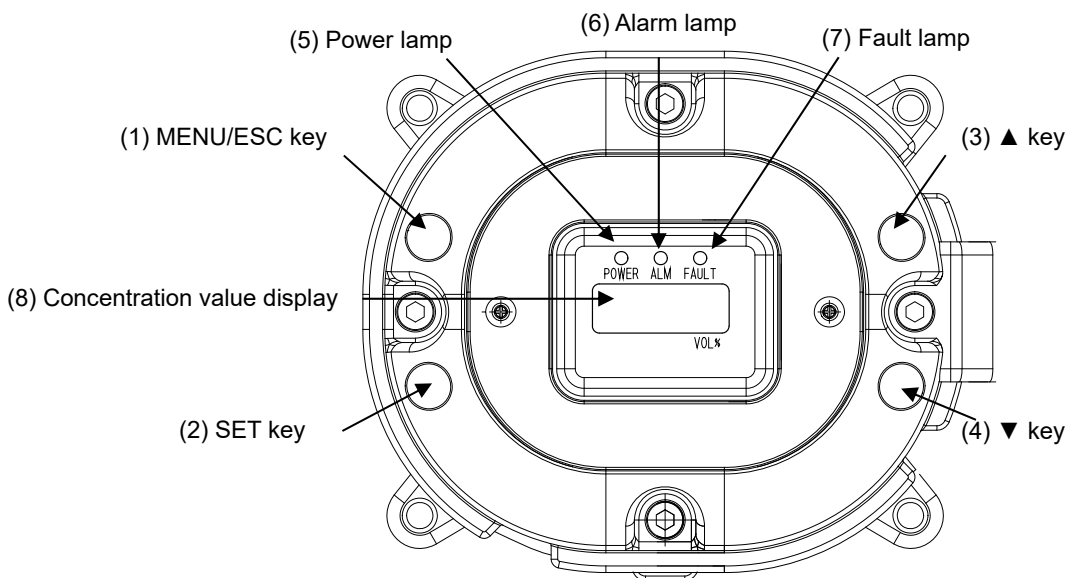
1 to 10 units	one
11 to 20 units	two
21 to 50 units	three
over 51 units	four



CAUTION

Use the supplied dedicated control key to operate the detector. If products other than these accessories are used, key operations cannot be accepted properly.
 Note that the control key is made of extremely strong magnet. Putting it close to a magnetic product, such as a credit card and ID card, may damage the stored data.

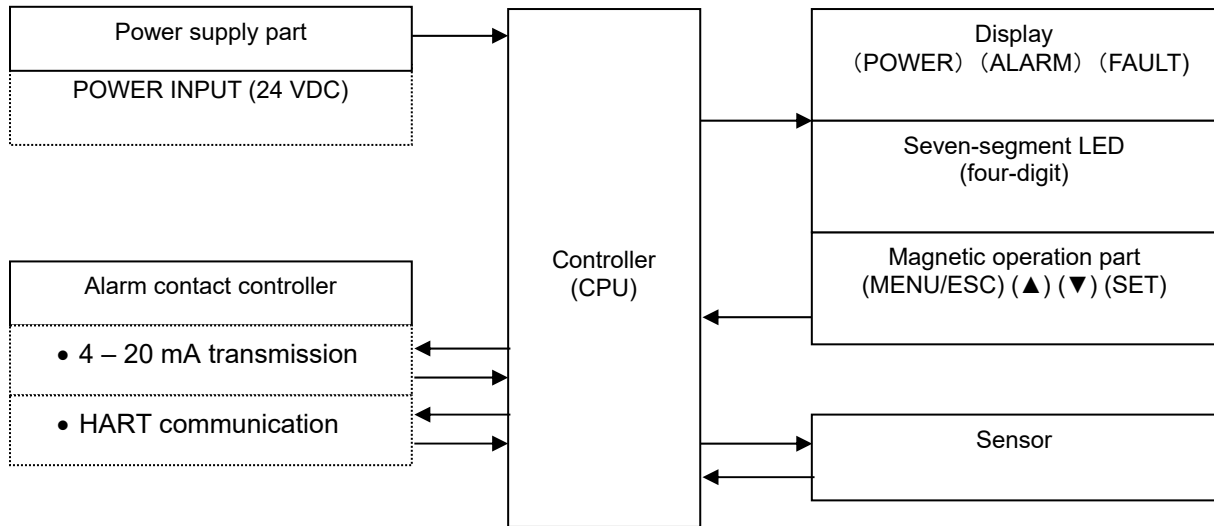
3-2. Names and functions for each part



(1)	MENU/ESC key	Used to enter the maintenance mode. It is also used to cancel in a specific mode.
(2)	SET key	It is used for value confirmation and so on in a specific mode.
(3)	▲ key	Used to switch menus or change a value (UP).
(4)	▼ key	Used to switch menus or change a value (DOWN).
(5)	Power lamp	Power lamp. Detection mode: It lights up in green. Maintenance mode: It blinks in green.
(6)	Alarm lamp	Alarm lamp. It lights up in red when the alarm setpoint value is reached.
(7)	Fault lamp	Fault lamp. It lights up in yellow when an abnormality is detected in the detector.
(8)	Concentration value display	Display the gas concentration and so on.

3-3. Block diagram

<Electric Diagram>



4

How to Use

4-1. Before using the gas detector

Not only the first-time users but also the users who have already used the detector must follow the operating precautions.

Ignoring the precautions may damage the gas detector, resulting in inaccurate gas detection.

4-2. Precautions for installation sites



CAUTION

This is a precision device. Because the detector may not provide the specified performance in some places (environments), check the environment in the installation point, and then take appropriate actions if necessary.

Because the detector plays an important role for safety and disaster prevention, as many units of the detector as needed must be installed in appropriate points.

Because points where gases leak and remain easily are different depending on the types of gases and the working areas, please decide carefully on installation points and the number of units to be installed.

Do not install the detector in a place with vibrations or shocks.

The detector consists of sensitive electronic parts. The detector must be installed in a stable place without vibrations or shocks and it cannot drop.

Do not install the detector in a place exposed to water, oil or chemicals.

When selecting installation points, avoid a place where the detector is exposed to water, oil or chemicals.

Do not install the detector in a place where the range of operating temperatures is exceeded.

The detector must be installed in a stable place where the operating temperature is maintained and does not change suddenly.

<Export Specification> -10 to +40°C

<Japan Specification> -10 to +40°C

Do not install the detector in a place exposed to direct sunlight or sudden changes in the temperature.

When selecting installation points, avoid a place where it is exposed to direct sunlight or radiant heat (infrared rays emitted from a high-temperature object), and where the temperature changes suddenly. Condensation may be formed inside the detector, or the detector cannot adjust to sudden changes in the temperature.

Keep the detector (and its cables) away from noise source devices.

When selecting installation points, avoid a place where high-frequency/high-voltage devices exist.

Do not install the detector in a place where maintenance of the detector cannot be performed or where handling the detector involves dangers.

Regular maintenance of the detector must be performed.

Do not install the detector in a place where the machinery must be stopped when maintenance is performed in its inside, where parts of the machinery must be removed to perform maintenance, or where the detector cannot be removed because tubes or racks prevent access to it. Do not install the detector in a place where maintenance involves dangers, for example, near a high-voltage cable.

Do not install the detector in machinery which is not properly grounded.

Before installing the detector in machinery, the machinery must be grounded properly.

Do not install the detector in a place where interference gases exist around it.

The detector must not be installed in a place where interference gases exist around it.



WARNING

An oxygen detector is affected by pressure. If the detector is used at a pressure other than atmospheric pressure, a calibration is required under that pressure. The maximum allowable pressure is 110 KPa. The detector cannot be used under reduced pressure. Using the detector at a pressure exceeding the allowable range may cause a trouble in the oxygen sensor performance.

4-3. Precautions for system designing



CAUTION

An unstable power supply and noise may cause malfunctions or false alarms. The descriptions in this section must be reflected on the designing of a system using the detector.

Using a stable power supply

The external output and alarm contact of the detector may be activated when the power is turned on, when momentary blackout occurs, or while the system is being stabilized. In such cases, use a UPS (uninterruptible power supply), or take appropriate actions on the receiving side.

The detector must be provided with the following power supply.

Power supply voltage	24 VDC±10%: Terminal voltage of the detector	
Allowed time of momentary blackout	Up to 10 milliseconds (To recover from the momentary blackout for 10 milliseconds or more, restart the detector.)	<u>Example of actions</u> To ensure continuous operation and activation, install a UPS outside the detector.
Others	Do not use it with a power supply of large power load or high-frequency noise.	<u>Example of actions</u> Use a line filter to avoid the noise source if necessary.

Introducing protective measures against lightning

If cables are installed outside the factory/plant, or if internal cables are installed in the same duct as the cables coming from outside the factory/plant, "lightning" will cause problems. Because lightning acts as a large emission source while cables act as a receiving antenna, devices connected to the cables may be damaged.

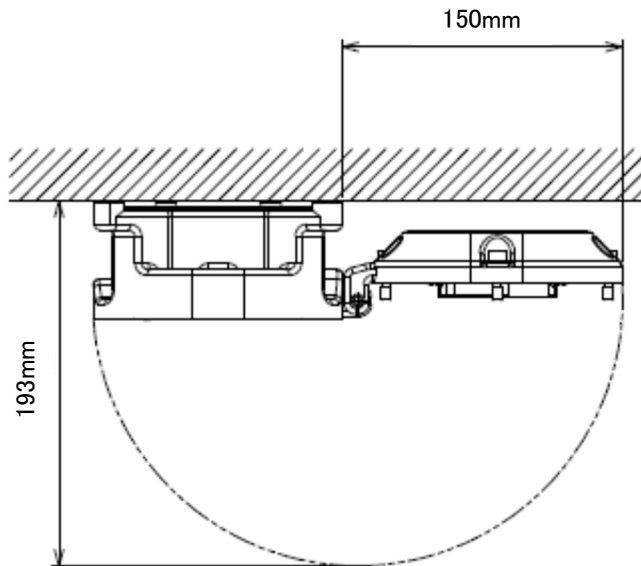
Lightning cannot be prevented. Cables installed in a metal conduit or under the ground cannot be completely protected from inductive lightning surge caused by lightning. Although complete elimination of disasters caused by lightning is impossible, the following protective measures can be taken.

Protection against lightning	<p>Take appropriate measures in accordance with the importance of the facilities and the environment.</p> <ul style="list-style-type: none"> Provide protection by a lightning arrester (cable arrester). (Although inductive lightning surge can be transmitted through the cable, it is prevented by installing a lightning arrester before the field devices and central processing equipment. For information on how to use a lightning arrester, please contact the manufacturer.)
Grounding	In addition to lightning, there are more sources of surge noise. To protect units from these noise sources, the units must be grounded.

* The lightning arrester has a circuit to remove a surge voltage which damages field devices, so that signals may be attenuated. Before installing a lightning arrester, verify that it works properly.

4-4. How to install

<Installation Dimensions and Maintenance Space>



The following installation requirements must be met to install the detector.

- Attach the detector on the wall and others using four M5 screws.
- Tighten the hexagon socket head cap screws fixing the lid and the main body with the tightening torque of $215.6 \pm 24.5 \text{ N} \cdot \text{cm}$.
- When closing the lid of the detector, please wipe the screw and the mating surface of the main body and the lid, and apply our company-specified grease.



CAUTION

Do not install the detector in a place where maintenance of the detector cannot be performed or where handling the detector involves dangers.

Regular maintenance of the detector must be performed.

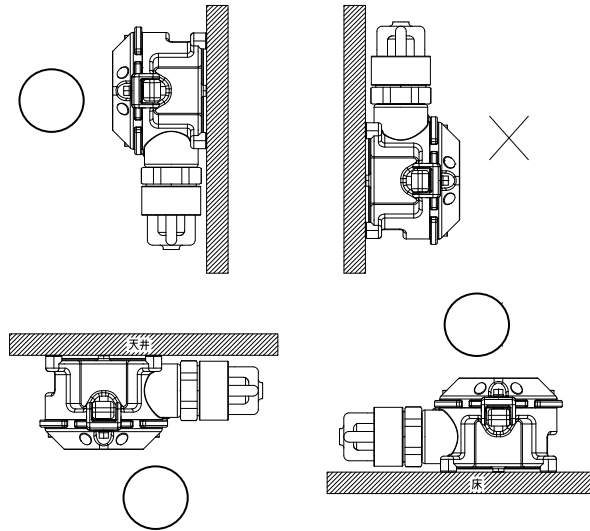
Do not install the detector in a place where the machinery must be stopped when maintenance is performed in its inside, where parts of the machinery must be removed to perform maintenance, or where the detector cannot be removed because tubes or racks prevent access to it. Do not install the detector in a place where maintenance involves dangers, for example, near a high-voltage cable.



WARNING

- Install the detector head in the specified direction.
Installing it in a wrong direction may cause abnormal readings.
- Install the detector while giving due consideration to the conditions for the detection area.
Normally, when the detector is used to detect oxygen deficiency, the detector head should be installed at a face level.
- When there is a risk of oxygen deficiency due to a gas heavier than the air (CO₂ etc.), install the detector in consideration for the specific gravity of the gas.
- Do not install the detector in a damp place where condensation occurs. Water drops formed on the sensor may cause abnormal detection.

Detector head installation direction



NOTE

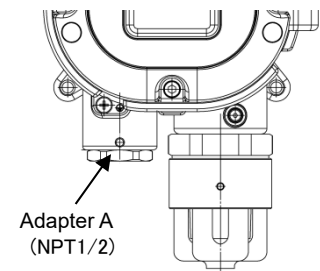
- Hexagon socket head cap screws with strength class "A2-70" are used.
When you lost or replace it, we recommend that you ask our local sales office nearest you.
- Our company-specified grease : BARRIERTA JFE 552 (NOK KLUBER made)
If you can not prepare the specified grease, please use one that meets the following requirements.
 1. Those not cured by deterioration
 2. Those containing no volatile solvent
 3. Those which do not cause corrosion on joint surfaces
 4. Those not including silicon type

4-5. Installation procedure

<Attaching External Cable>

【Export Specification】

The export specification comes with adapter A (NPT 1/2) as standard. Please prepare the Ex cable gland that is suitable for the adapter.



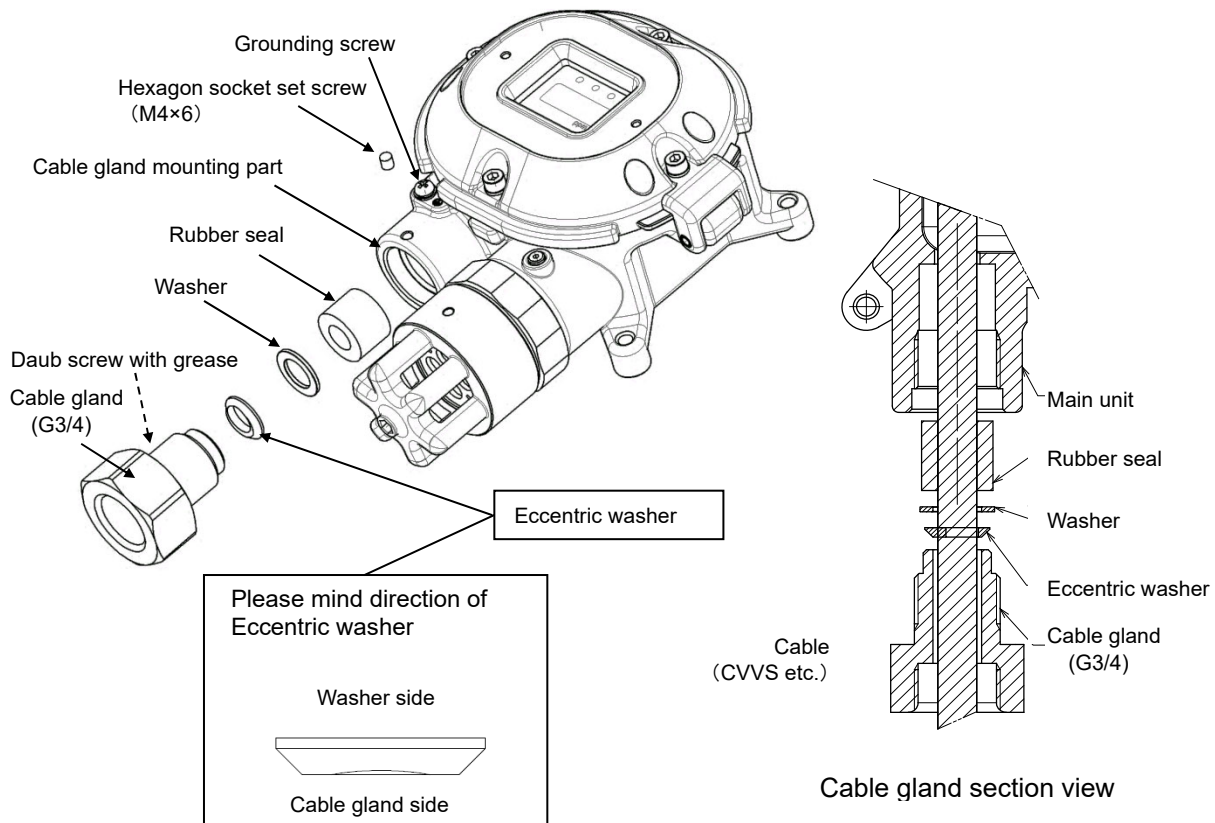
【Japan Specification】

Cable gland, Rubber seal, Washer and Eccentric washer are mounted on SD-10X main body as shown below.

Attach the parts :

Pass a Cable (e.g. CVVS) through the Cable gland, Eccentric washer, Washer, and Rubber seal, and drawn into detector inside. (For wire methods, see "4-6 How to wire".) When installing the cable gland, wipe the cable gland mounting part, the hexagon socket set screw, the grounding screw, and the cable gland and wipe the specified grease.

Tightens Cable gland, and then tightens hexagon socket set screw (M4×6), and fix cable gland.



WARNING

- Do not replace parts at your sole discretion but contact RIKEN KEIKI if the transparent window has a crack or the explosion-proof joint surface is abnormal, or the clamping screw or bolt is changed, lost etc.



CAUTION

- Tighten 40 N·m or larger torque value to ensure the tightening cable gland and seal plug.
- Tighten the hexagon socket head cap screws fixing the cable gland with the tightening torque of $107.8 \pm 12.7 \text{ N}\cdot\text{m}$.

NOTE

- Our company-specified grease : BARRIERTA JFE 552 (manufactured by NOK KLUBER)
If you can not prepare the specified grease, use one that meets the following requirements.
 1. Material does not harden due to deterioration
 2. Volatile solvent-free
 3. Material does not cause corrosion at the surface
 4. Silicon-free
 5. Validation of suitability depends on the specifications of grease manufacturer
-

4-6. How to wire



CAUTION

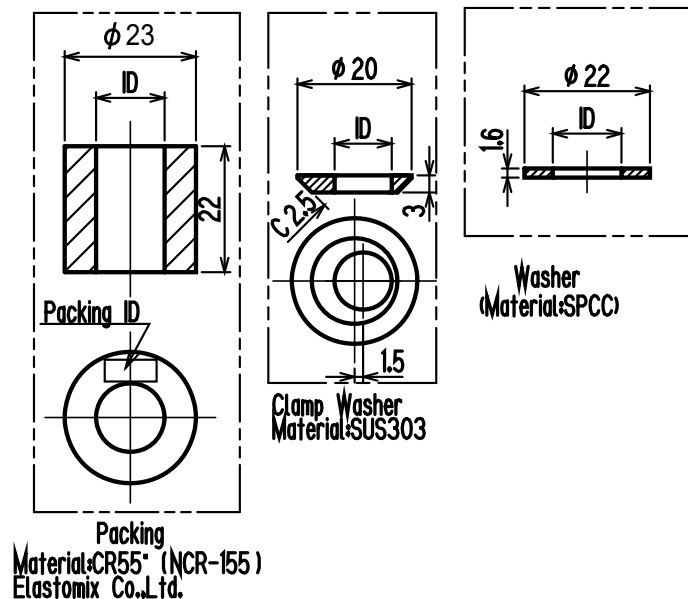
- Be careful not to damage the internal electronic circuit when wiring. In addition, be careful not to apply stresses on the detector when (overweight) cables are installed.
- The power cables and signal cables must not be installed together with the motor power cables etc. When these cables must be installed together for unavoidable reasons, put the power cables and signal cables in a metal conduit. The conduit must be connected to a grounding circuit.
- When stranded wires are used, prevent wires from contacting each other.
- Use the dedicated handling lever to wire.
- Use appropriate cables to wire.

<Recommended Cable>

3-wire	CVVS1.25 mm2 or 2.0mm2 - 3-core
4-wire	CVVS1.25 mm2 or 2.0mm2 - 4-core

<Parts. length table of outside conductor lead-in>

Cable overall outer diameter(mm)	Rubber seal inner diameter(mm)	Washer inner diameter(mm)	Clamp inner diameter(mm)
From $\Phi 9.6$ to $\Phi 10.5$	$\Phi 11$	$\Phi 12$	$\Phi 10.8$
From $\Phi 10.5$ to $\Phi 11.5$	$\Phi 12$	$\Phi 12$	$\Phi 11.8$
From $\Phi 11.5$ to $\Phi 12.5$	$\Phi 13$	$\Phi 14$	$\Phi 12.8$
From $\Phi 12.5$ to $\Phi 13.0$	$\Phi 13.5$	$\Phi 14$	$\Phi 13.8$

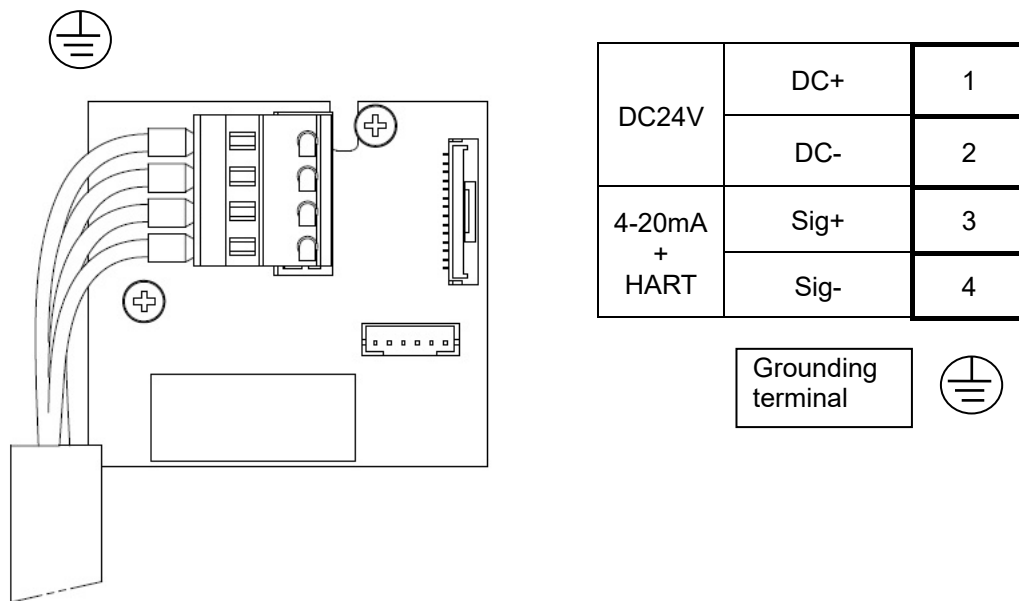


NOTE

- The following table shows an example of overall outer diameters of cables. Use them for reference. The overall outer diameters must be checked because they somewhat vary between manufacturers.

Number of core	CVV 1.25mm ²	CVV 2 mm ²	CVVS 1.25 mm ²	CVVS 2 mm ²
2	Φ9.5	Φ10.5	Φ10.0	Φ11.0
3	Φ10.0	Φ11.0	Φ10.5	Φ11.5
4	Φ10.5	Φ11.5	Φ11.0	Φ12.0
5	Φ11.5	Φ12.5	Φ12.0	Φ13.0
6	Φ12.5	Φ13.5	Φ13.0	Φ14.0

<Figure of Terminal Plate>



<Specifications of Terminal Plate>

Specifications of terminal plate

Rated voltage: 250 VAC

Rated current: 12 A

However, it depends on cables to be used.

Connection conditions

Cables: 0.25 - 2.5 mm²

Bare wire length: 8 - 9 mm

Connecting tool: Dedicated handling lever (accessory) or driver (edge 3.5 x 0.5 mm)

<When 4-20mA output is not used>

This detector has a self-diagnosis function which shows E-9 on LED display when 4-20mA is not properly outputted.

If 4-20mA output is not necessary, connect the following fixed resistance (lead type) to the terminal 2 and 3 ("Sig+" and "-(common)").

Resistance value : 100-300Ω Rated power : 0.25W or more

Insert a cable and the above resistance together into Terminal 2 (common), and insert lead part of the resistance into terminal 3 (Sig+). After that, check the immovability.

CAUTION

The specified bare wire length must be observed when the wire insulation is peeled off. Improper clamping of the wire due to a shorter bare wire length may cause defective electrification or heating. Damaging the wire insulation due to a shorter bare wire length may cause defective electrification or heating. Exposing the wire due to a longer bare wire length may cause defective insulation or a short circuit. Be careful not to break up the wire. If the wire is broken up when inserted to the terminal, this may cause defective insulation or heating.

Compatible bar terminal
 For a bar terminal, the following items are available.
 Bar terminal (ferrule): Model 216 Series (manufactured by WAGO)
 Crimping tool: Model VarioCrimp 4 (206-204) (manufactured by WAGO)

CAUTION

A bar terminal of the specified model must be used. Using other bar terminals invalidates the warranty of the performance.

<How to Connect to Terminal Plate>

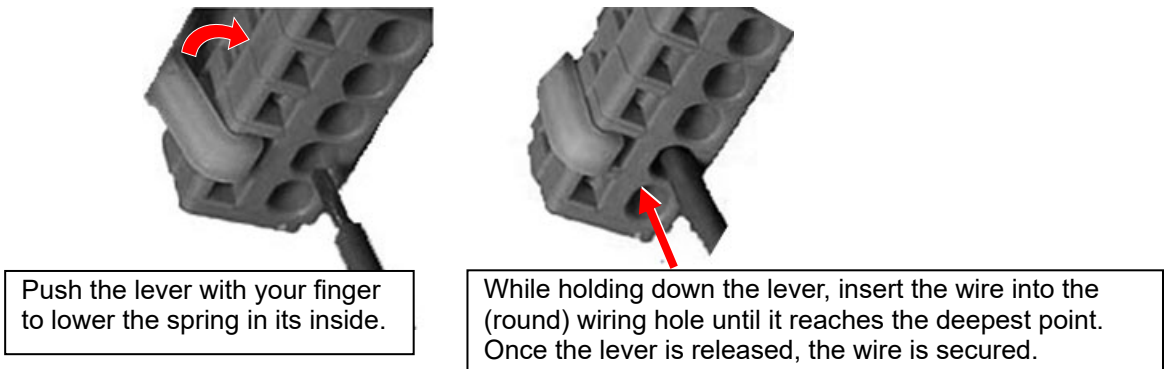
When cables are connected to the connectors, use the dedicated lever or a flathead screwdriver to do it as shown below.

CAUTION

The right tools must be used. In principal, one wire can be connected to one wiring hole. When the wire is inserted into the driver slot by mistake, it does not contact the conductive part. This may cause defective electrification or heating. When the wire is inserted under the spring by mistake, it does not contact the conductive part. This may cause defective electrification or heating.


NOTE

<How to Use the Dedicated Handling Lever>



To check whether the wire is connected securely, pull the wire gently. (Do not pull the wire strongly.)

<Grounding>

Connect the detector to your grounding terminal with the external terminal .

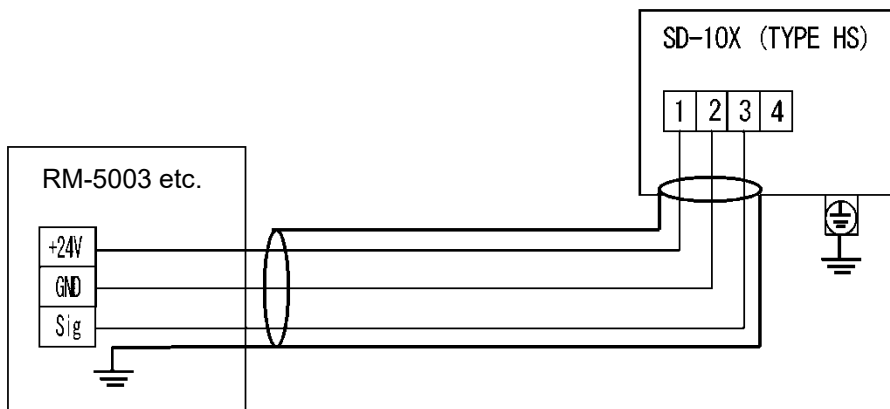


WARNING

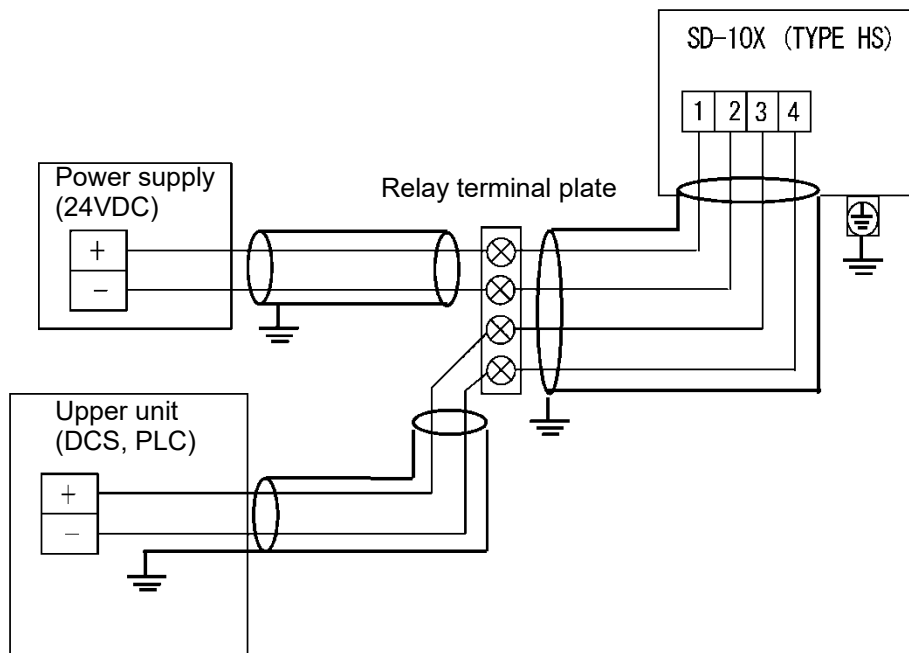
- Before turning on the detector, do not forget to connect it to a grounding terminal.
- For stable operation of the detector and safety, it must be connected to a grounding terminal. Do not connect the grounding wire to a gas pipe.
- The grounding must be made as D type grounding (below 100 Ω of grounding resistance).
- For the grounding wire, use cable lugs to safely connect it to a grounding terminal without looseness or twist.
- Use ring terminals to connect the grounding terminal with the ground and use the grounding wire with cross-sectional area of 4 mm² or more for the external grounding terminal.

<Wiring Example>

Connecting to the indicator



Connecting to the upper unit (DCS, PLC)



CAUTION

If HART communication is used, check so that wiring load resistance that constitute 4-20mA loops, amount to 250 Ω-300 Ω.

5

How to Operate

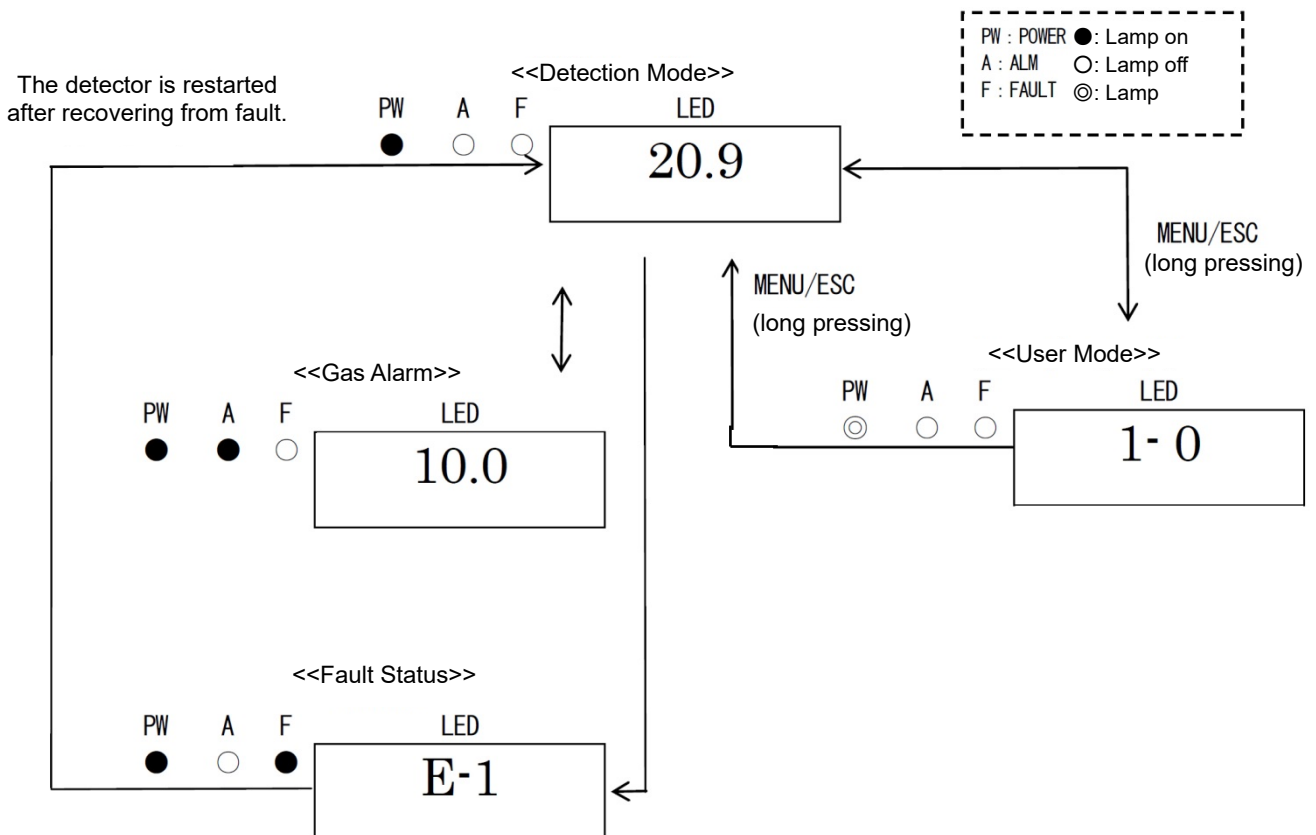
5-1. Preparation for start-up

Before connecting a power supply, read and understand the following precautions. Ignoring these precautions may cause an electric shock or damage the detector.

- Connect the detector to a grounding circuit.
- Check that the wiring is connected to external device properly.
- Check that the power supply voltage is compliant with the specifications.

5-2. Basic operating procedures

Normally, the detection mode is used for normal operations. (The detection mode is activated after the power is turned on.)





WARNING

When the detector enters other mode from the detection mode while an alarm is activated, the alarm is reset.

5-3. How to start the gas detector

- Before supplying power (24 VDC) to the detector, check that the detector is installed properly.
- Supply power (24 VDC) to the detector (turn on the detector).
- After the detector completes the start-up, it enters the detection mode swiftly.



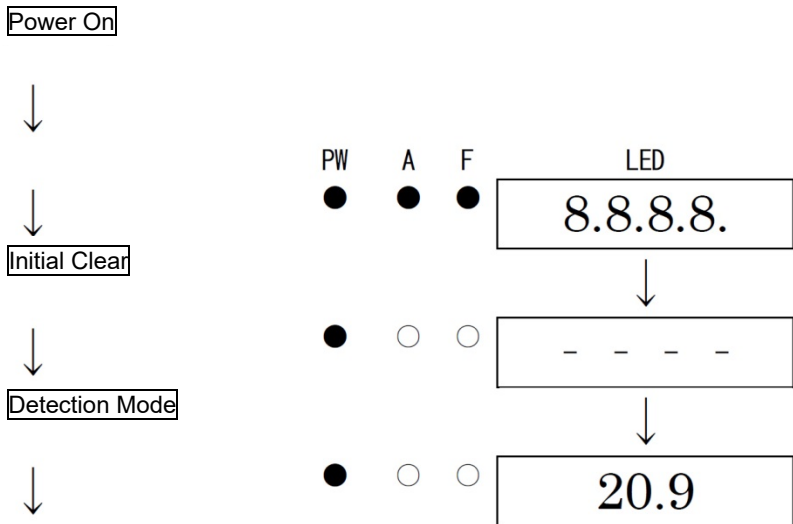
CAUTION

- Do not turn off the detector during the initial clear. The detector is reading the internal memory during the initial clear.
- If the detector is installed newly or the new sensor is replaced, the sensor must be warmed up for a specified period which is determined depending on the type of the sensor after the detector is started.
- After the warm-up is completed, perform a span adjustment.

NOTE

<<Start-up Operation Procedures>> (approximately 25 seconds for system check of the detector and alarm deactivation)

Power on -> Initial clear (approximately 25 seconds) -> Detection mode



5-4. Modes

Details on each mode are provided as follows.



CAUTION

- Do not change the settings if not necessary. Changing the settings without understanding the specifications may cause malfunctions.

Mode	Item	LED display	Details
Detection Mode	-	Gas concentration	Normal state
User Mode	ROM/SUM Display	1-0	Display the program version and others.
	Zero Adjustment	1-1	Perform the zero adjustment.
	Setting Display	1-2	Display various setting values.
	Switch to Maintenance Mode	1-3	※

※Maintenance mode has setting item with important tool. As operation that mistook for this reason may be occurred, this detector to malfunction, our service engineer for maintenance manipulate. This is not typically used by the user.

5-5. Maintenance mode(User)



WARNING

After the adjustment is completed, never fail to press MENU/ESC key to return to the detection mode.
 (If the detector remains in the user mode, it automatically returns to the detection mode in ten hours.)

Detection Mode

Press the MENU/ESC key for three seconds.

PW	A	F	LED	
<input checked="" type="radio"/>	<input type="radio"/>	<input type="radio"/>		20.9



User Mode

1-0. ROM/SUM Display

Display the program version and others. This is not typically used by the user.

PW	A	F	
<input checked="" type="radio"/>	<input type="radio"/>	<input type="radio"/>	1- 0



1-1. Span Adjustment

Perform the span adjustment.

PW	A	F	▲ ↓ ↑ ▼ LED	
<input checked="" type="radio"/>	<input type="radio"/>	<input type="radio"/>		1- 1

→ Span Adjustment => P26
SET

1-2. Various Setting Display

Display various setting values.

PW	A	F	▲ ↓ ↑ ▼ LED	
<input checked="" type="radio"/>	<input type="radio"/>	<input type="radio"/>		1- 2

→ Setting Display => P27
SET

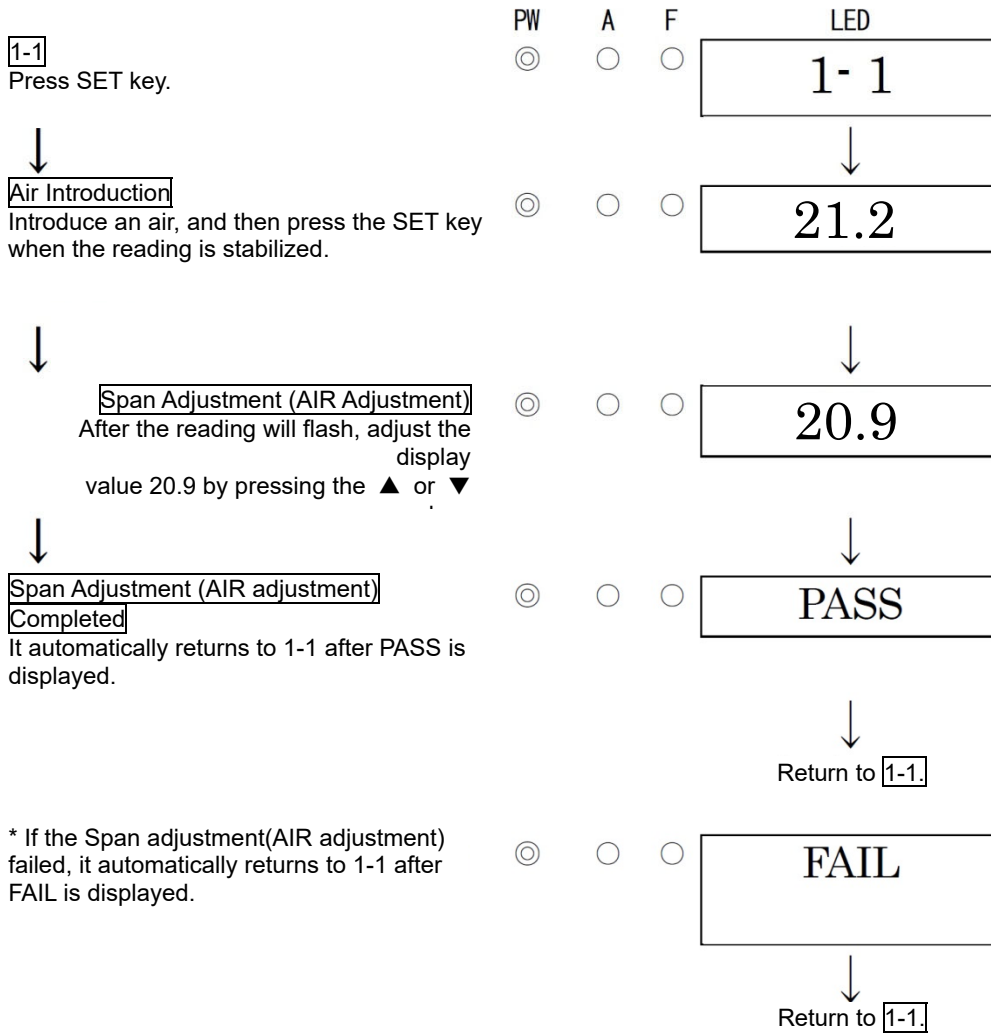
1-3. Mode Switching

Switch to the regular maintenance mode.
 This is not typically used by the user.

PW	A	F	▲ ↓ ↑ ▼ LED	
<input checked="" type="radio"/>	<input type="radio"/>	<input type="radio"/>		1- 3



This is used to perform the zero adjustment (AIR adjustment).



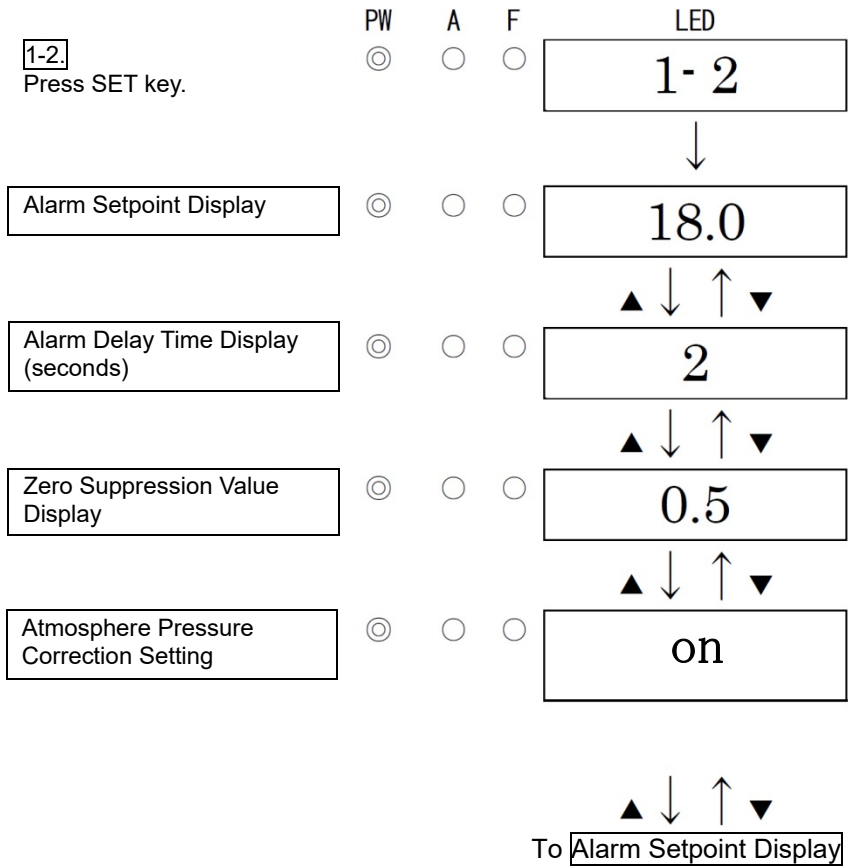
* If the Span adjustment(AIR adjustment) failed, it automatically returns to 1-1 after FAIL is displayed.

NOTE

- If the span adjustment (AIR adjustment) failed since the span point was significantly fluctuated from around 20.9%, it returns to 1-1 after FAIL rather than PASS is displayed. In this case, the span adjustment (AIR adjustment) has not been completed.

<Setting Display "1-2">

Display various setting values.



5-6. How to exit

To turn off the detector, turn off the power supply (24 VDC) to the detector.



WARNING

- When the detector is turned off, an alarm may be triggered on the upper (central) system.
- Before turning off the detector, INHIBIT (point skip) on the upper (central) system must be activated. Decide whether the power can be turned off by checking the operation of the devices connected to the external output or external contact output terminal of the detector.

6

Operations and Functions

6-1. Alarm activation

Oxygen concentration alarm: Activated when the detected oxygen concentration reaches or exceeds the alarm setpoint value. <<Auto-Reset Operation>>

NOTE

The alarm setpoint is factory-set. Although the alarm delay time (standard: 2 seconds) works in the detector to prevent a false activation, it can be cancelled if not needed.

<Display Operation>

Oxygen Concentration Display

In case of over the detection range (Over Scale), "∞ ∞ ∞ ∞" is displayed on the LED.

Power Indicator Lamp (POWER: Green)

During operation, this lights up continuously.

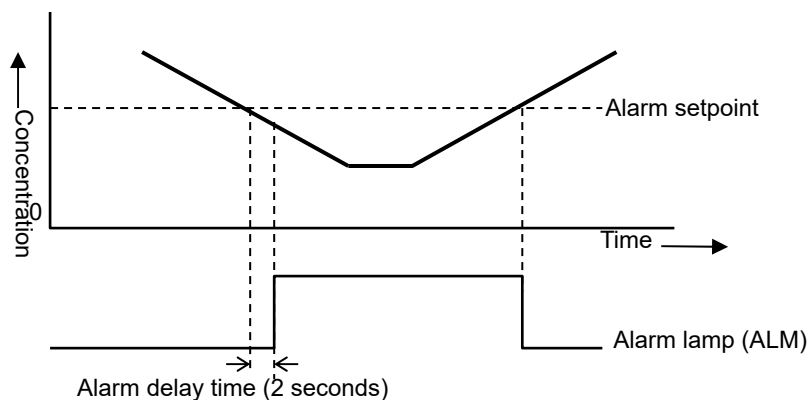
Alarm Indicator Lamp (ALM: Red)

This lights up when the alarm setpoint value is reached or exceeded.

<Alarm Activation>

The contact is activated when the oxygen concentration reaches or exceeds the alarm setpoint value (only when the alarm is used).

The alarm activation is reset automatically when the gas concentration drops below the alarm setpoint value.



<Response to Alarm>

An oxygen concentration value exceeds the alarm setpoint

When an alarm is triggered, take actions in accordance with your management rules of alarm. Normally, take the following actions.

- Check the reading of the detector.

NOTE

If a gas leak is momentary, the reading may already have dropped when checking it. In addition, when the alarm is triggered by noise or other incidental conditions other than a gas, the reading may have already dropped.

- Based on your management rules of gas alarm, no one can be allowed to access the monitored zone to ensure safety.
- If the gas concentration display continues to be displayed, close the main valve of the gas, and then check that the gas concentration reading dropped.
- Access the gas leak point, equipped with a protective gear to avoid dangers caused by possibly remaining gases, and check whether gases remain or not by using a portable gas detector.
- Check that the point is free from dangers, and take actions to fix the gas leak.

6-2. Fault alarm activation

A fault alarm is triggered when the detector detects abnormalities. After a fault alarm is triggered, the fault lamp (yellow) lights up and an error message is displayed on the LCD. Determine the causes and take appropriate actions.

After the detector is successfully returned from the fault, it restarts with the process normally performed right after it is turned on (initial clear).

If the detector has problems and is repeatedly malfunctioning, contact our overseas sales department or local representatives immediately.

<Display Operation>

Fault Detail Display

Display a message indicating the fault detail.

Fault Lamp (FAULT: Yellow)

This lights up when a failure occurs.

NOTE

For information on malfunctions (error messages), see "9. Troubleshooting".

6-3. Warning activation

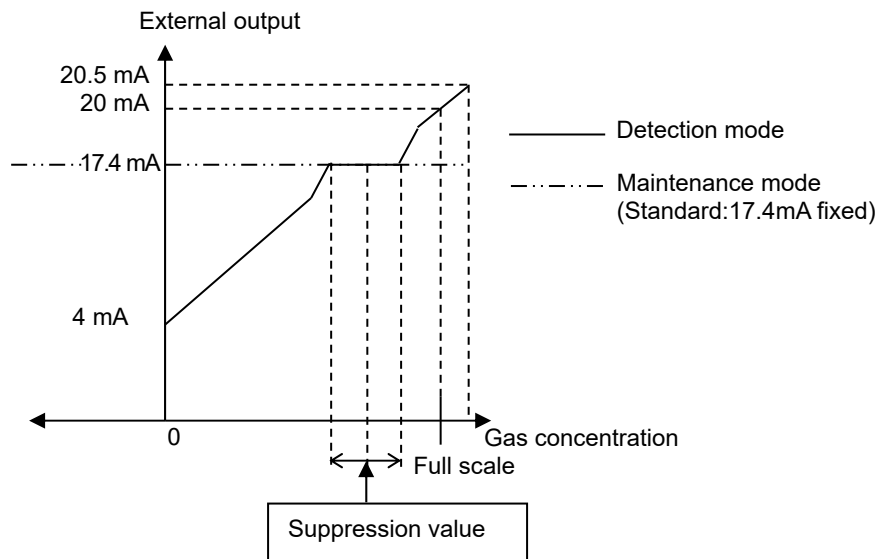
When the environmental temperature exceeds the operating temperature of the detector, gas concentration and warning number[E-27] are shown alternately. Since this case is not failure, still the detector works. It outputs 4-20mA depending on gas concentration and does not light up failure lamp.

Operating temperature: -10~+40°C(non-rapidly-vary)

6-4. External output operation

Signal Transmission System		Electric current transmission (non-isolated) 4 – 20 mA
Transmission Path		CVVS
Transmission Distance		CVVS 1.25 mm ² : Within 1.25km CVVS 2.0 mm ² : Within 2.0km
Connection Load Resistance		Below 300 Ω
	Mode	4 - 20 mA(output value)
1	Power Off	0 mA
2	Initial Clear	17.4 mA (Fixed)
3	Detection Mode(No alarm)	4 - 20 mA (concentration output)
4	Detection Mode(Gas alarm)	4 - 20 mA (concentration output)
5	Detection Mode (Full scale over)	20.5 mA (Fixed)
6	Out of operating temperature range	4 - 20 mA (concentration output)
7	Fault Alarm	0.5 mA (Fixed)
8	INHIBIT	17.4 mA (Fixed)
9	Alarm Test Mode	Output ON setting: 4 - 20 mA (concentration output) Output OFF setting: 4 mA
10	User Mode	4 - 20 mA (concentration output)
11	Maintenance Mode	17.4 mA (Fixed)

Example of Gas Concentration and External Output
0 - 25 vol% (Oxygen deficiency alarm specification)



CAUTION

- The 4 - 20 mA output is already adjusted. In case of over scale, an output will not exceed 20.5 mA.
- Output during INHIBIT or initial clear is based on 4 - 20 mA output setting in the maintenance mode.

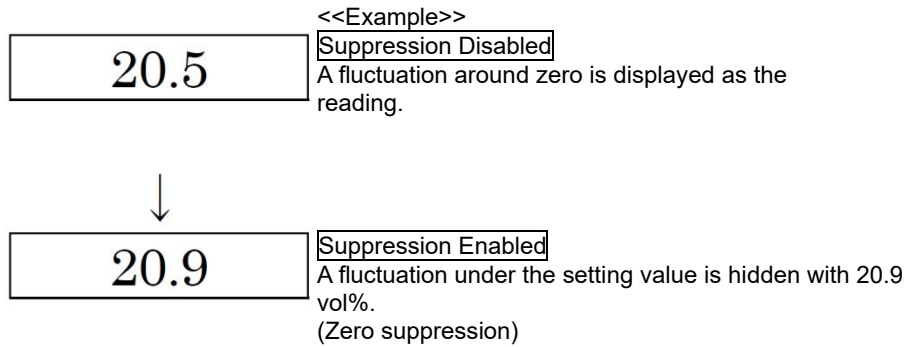
In particular, when the detector is started or the specification is changed, be careful about 4-20 mA output setting. Understand how the detector functions, and take actions, if necessary, so that the signal receiver side can prepare to avoid false alarms.

6-5. Other functions

<Suppression Function>

The sensors used with the detector are influenced by environmental changes (temperature, humidity and other characteristics) in no small measure, which affects the reading. Therefore, the reading might be fluctuated even in a normal environment.

This function obscures influences by environmental changes or other factors that have no meaning for your management rules of alarm. This function is used to hide (suppress) the fluctuation of the reading under the setting value, indicating 20.9 vol%.



NOTE

- The suppression function is factory-set. The standard setting value is ± 0.5 vol% (for 20.9 vol%).
- In the maintenance mode, this function is disabled and the fluctuation of the reading under the setting value is displayed.
- The setting value shall be changed by our service personnel or the personnel who is trained. Do not attempt to change by yourself.



CAUTION

A reading under zero is suppressed with the 10% FS suppression.
A reading that gets 10% FS or more under zero is displayed as "-0.0", which prevents an accurate gas detection and needs the zero adjustment.

7

Maintenance

The gas detector is an important instrument for the purpose of safety. To maintain the performance of the gas detector and improve the reliability of safety, perform a regular maintenance.

7-1. Maintenance intervals and items

- Daily maintenance: Perform maintenance before beginning to work.
- Regular maintenance: Perform maintenance once or more for every six months to maintain the performance as a safety unit.

Maintenance item	Maintenance content	Daily maintenance	Regular maintenance
Power Supply Check	Check that the power lamp lights up.	○	○
Concentration Display Check	Check that the concentration display value is zero. When the reading is incorrect, perform the zero adjustment after ensuring that no interference gases exist around it.	○	○
Alarm Test	Inspect the alarm circuit by using the alarm test function.	—	○
Span Adjustment	Perform the span adjustment by using the calibration gas.	—	○
Gas Alarm Check	Check the gas alarm by using the calibration gas.	—	○

<About Maintenance Services>

- We provide services on regular maintenance including span adjustment, other adjustments and maintenance.
To make the calibration gas, dedicated tools, such as a gas cylinder of the specified concentration and gas sampling bag must be used.
Our qualified service engineers have expertise and knowledge on the dedicated tools used for services, along with other products. To maintain the safety operation of the detector, please use our maintenance service.
- The followings are typical maintenance services. For more information, please contact RIKEN KEIKI.

Main Services

- Power Supply Check : Checks the power supply voltage.
Verifies that the power lamp lights up.
(Verifies that relevant points can be identified on the system.)
(When a UPS (uninterruptible power system) is used, checks the operation with the UPS.)
- Concentration Display Check : Verifies that the concentration display value is zero (or 20.9 vol% on the oxygen deficiency meter) by using the zero gas.
Performs the zero adjustment (fresh air adjustment) if the reading is incorrect.
- Alarm Test : Inspects the alarm circuit by using the alarm test function.
- Checks the alarm lamps. (Checks ALM activation.)
 - Checks the external alarm. (Checks the activation of the external alarm, such as a buzzer.)
- Span Adjustment : Performs the span adjustment by using the calibration gas.
- Gas Alarm Check : Checks the gas alarm by using the calibration gas.
- Checks the alarm. (Checks triggering of alarm when the alarm setpoint is reached.)
 - Checks the delay time. (Checks time to delay until the alarm is triggered.)
 - Checks the alarm lamps. (Checks ALM activation.)
 - Checks the external alarm. (Checks the activation of external alarms, such as a buzzer and reset signal.)
- Cleaning and Repair of Device (Visual Diagnosis) : Checks dust or damage on surface, cover or internal parts of the detector, cleans and repairs such parts of the detector.
Replaces parts which are cracked or damaged.
- Device Operation Check : Uses the keys to check the operation of functions and parameters.
- Replacement of Consumable Parts : Replaces consumable parts, such as a sensor, filter and pump.

7-2. Proof test

Proof Test is the test which confirms if a series of safety system function works properly. It should be performed at maintenance period (every 6 months) or whenever safety system is updated or changed. Refer to appendix, the safety manual.

If do not perform Proof Test, it will decrease SIL.

7-3. Parts replacement

<Sensor Replacement>

Our service engineers need to replace the sensor and perform the calibration. Please contact RIKEN KEIKI.

NOTE

The calibration using the standard gas is required after the sensor is replaced. Please request it to our overseas sales department or local representatives.

<Replacement of Regular Replacement Parts>

List of recommended regular replacement parts

No.	Name	Maintenance intervals	Replacement intervals (year)	Quantity (pieces/unit)
1	Rubber seal (sensor)	6 months	3 - 8 years	1
2	O ring (sensor)	6 months	3 - 8 years	1
3	Slip ring (sensor guard)	6 months	3 - 8 years	1

- * The operation must be checked after replacement by a qualified service engineer. For the stable operation of the unit and safety, ask a qualified service engineer to take care of replacement of the parts that operation must be checked. Request RIKEN KEIKI for operation check.

NOTE

- The above replacement intervals are recommendation only. The intervals may change depending on the operating conditions. These intervals do not mean the warranty periods either. The result of the regular maintenance may determine when to replace the parts.

8

Storage, Relocation and Disposal

8-1. Procedures to store the gas detector or leave it for a long time

The gas detector must be stored under the following environmental conditions.

- In a dark place under the normal temperature and humidity away from direct sunlight
- In a place where gases, solvents or vapors are not present

8-2. Procedures to relocate the detector or use it again

When the detector is relocated, select a new place in accordance with "4-2. Precautions for installation sites" and "4-4. How to install".

For information on wiring, see "4-6. How to wire". The unpowered time must be minimized when the detector is relocated.



CAUTION

- When using a relocated or stopped/stored detector again, never fail to perform a calibration. For information on readjustment including a calibration, please contact RIKEN KEIKI.

8-3. Product disposal

Dispose of the product as industrial waste (incombustible) in accordance with local regulations.

<Disposal in EU member states>

- Waste Electrical and Electronic Equipment (WEEE) directive



The symbol on the product shown on the left indicates that the product and its individual parts must not be disposed of with general or household waste, and must be sorted and disposed of appropriately.

Proper disposal will help prevent potential negative effects on human health and the environment.

To ensure proper treatment, collection, and recycling of the product at the time of its disposal, please use the return and collection system available in your country. For more information on collecting and recycling used products, please contact the dealer or supplier from whom you purchased the product.

9

Troubleshooting

The Troubleshooting does not explain the causes of all the malfunctions which occur on the detector. This simply helps to find the causes of malfunctions which frequently occur. If the detector shows a symptom which is not explained in this manual, or still has malfunctions even though remedial actions are taken, please contact our overseas sales department or local representatives.

<Abnormalities on Unit>

Symptom/Display	FAULT	Causes	Actions
<u>The power cannot be turned on.</u>	—	The wiring is not correct.	Connect the wiring properly.
		The terminal plate is removed.	Connect the terminal plate properly.
		Abnormalities/momentary blackout of power supply system	Provide the rated voltage. Take measures such as checking or adding the UPS, power supply line filter and insulation transformer.
		Cable abnormalities (open circuit/not connected/short circuit)	Check the wiring of detector and related devices around it.
<u>Abnormal operations</u>	—	Disturbances by sudden surge noise, etc.	Turn off and restart the indicator/alarm unit. If such a symptom is observed frequently, take appropriate measures to eliminate the noise.
<u>Sensor abnormalities</u> E-1	•	The sensor is not connected or improperly connected.	Check if the cable is securely fastened to the terminal plate.
		Faults of the sensor	Replace the sensor with a new one.
<u>System abnormalities</u> E-9	•	The rated voltage is not supplied to the detector.	Check the power supply, and supply the rated voltage.
		Abnormalities of ROM, RAM or EEPROM inside of the detector	Please contact our overseas sales department or local representatives.
		Output signal (4-20mA) does not work correctly.	Check if the cable for external output is correctly connected. (Deterioration of the cable, connection of the host system, etc). If the output is not necessary, connect a resistance to the terminal as mentioned in P19. If it is correctly connected, contact our overseas sales department or local agents because a failure inside this detector might be occurred.

<Abnormalities of Readings>

Symptoms	Causes	Actions
<u>The reading rises (drops) and it remains so.</u>	Drifting of sensor output	Perform the zero adjustment (or span adjustment).
	Slow leak	A very small amount of the gas to be detected may be leaking (slow leak). Because ignoring it may cause dangers, take a remedial measure, i.e., taking actions the same as those for the gas alarm.
	Environmental changes	Perform the zero adjustment (or span adjustment).
<u>A gas alarm is triggered despite of no gas leak and no other abnormalities at the detection point.</u>	Disturbance by noise	Turn off and restart the detector. If such a symptom is observed frequently, take appropriate measures to eliminate the noise.
	Sudden change in the environment	When the environment (temperature etc.) changes suddenly, the detector cannot adjust to it and is affected by it. In some cases, the detector triggers an indication alarm. Because the detector cannot be used under sudden and frequent environmental changes, any preventive actions to eliminate them should be taken by the user.
<u>Slow response</u>	Deteriorated sensor sensitivity	Replace the sensor with a new one.
<u>Span adjustment impossible</u>	Improper calibration gas concentration	Use the proper calibration gas.
	Deteriorated sensor sensitivity	Replace the sensor with a new one.

<Abnormalities of installation environment>

Symptom/Display	FAULT	Causes	Actions
<u>Out of operating temperature range</u> E-27	—	The environmental temperature is out of operating temperature range	Operating temperature range is -10~+40°C. If environmental temperature is out of operating temperature range, countermeasure for adjusting environmental temperature is needed to be considered.

10

Product Specifications

10-1. List of specifications

<ATEX/IECEx·Oxygen Deficiency Alarm Specification>

Model	SD-10X
Type	TYPE HS
Detection principle	Galvanic cell method
Detection gas	O ₂
Concentration display	LED(4digits・7segments)
Detection range	0 - 25vol%
Detection method	Diffusion method
Alarm setpoints	18vol%(L) 【Standard】
Power display	POWER lamp lighting(green)
External output	Gas concentration signal (4-20mA output)
Indicate accuracy* ¹ (under an identical condition)	Within ±0.7vol%
Accuracy of Alarm setpoint* ¹	Difference between Alarm setpoint and indicated value of warning alarm are zero.
Response time* ¹ (under an identical condition)	Within 30sec(T90)
Alarm-delay time* ¹ (under an identical condition)	By anoxia alarm(Alarm setpoint:18vol%), Less than 5sec. (When introducing 10 - 11vol% gas)(Without piping delay time and communication delay time.)
Gas alarm type	Single alarm(L)
Gas alarm display	ALM lamp lighting(red)
Gas alarm pattern	Auto-recover
Fault alarm・Self diagnosis	System failure (E-9)/Sensor failure (E-1)
Fault alarm display	FAULT lamp lighting(yellow)/Error number display
Fault alarm pattern	System failure : Self-latching Sensor failure : Auto-recover
Transmission scheme	Three-wire analog transmission(in common with power supply<power supply,signal,common>) or Two-wire analog transmission + digital transmission(HART communication)
Transmission specification	4 - 20mADC(linear・load resistance less than 300Ω)
Communication scheme	HART 7
Transmission cable	CVVS worth of shield cable(1.25mm ²)・4-core or 3-core CVVS worth of shield cable(2.0mm ²)・4-core or 3-core
Transmission distance	Less than 1.25km in case of CVVS 1.25mm ² Less than 2.0km in case of CVVS 2.0mm ²
Functions	Alarm delay/Suppress/HART communication
Power supply	24VDC±10%
Power consumption	MAX.1.1W
Cabling port	Adapter A<NPT1/2> or adapter B<NPT3/4> or Pressure proof packing gland <G3/4> (Compatible cables φ9.6 - 13.0mm in outer diameter)
Initial clear	Approx.25sec
Operating temperature range	-10 - +40°C(non-rapidly-vary)
Operating humidity range	Less than 95%RH(non-condensing)
Structure	Wall mounting type
Explosion protected construction	Flame proof structure

Explosion-proof class	II 2 G Ex db II C T6 Gb(ATEX) / Ex db II C T6 Gb(IECEX)
SIL certified	Implemented in relation to IEC 61508:2010 Part 2 and Part 3 Conformity to SIL 2 Conformity to SIL 3 by duplicate
Dimensions	Approx.148(W)×208(H)×88(D)mm(projection portions excluded)
Weight	Approx.2.5kg
Color	Munsell 7.5BG5/2

*1 In conformity to JIS T8201 2010(Oxygen deficiency indicator)

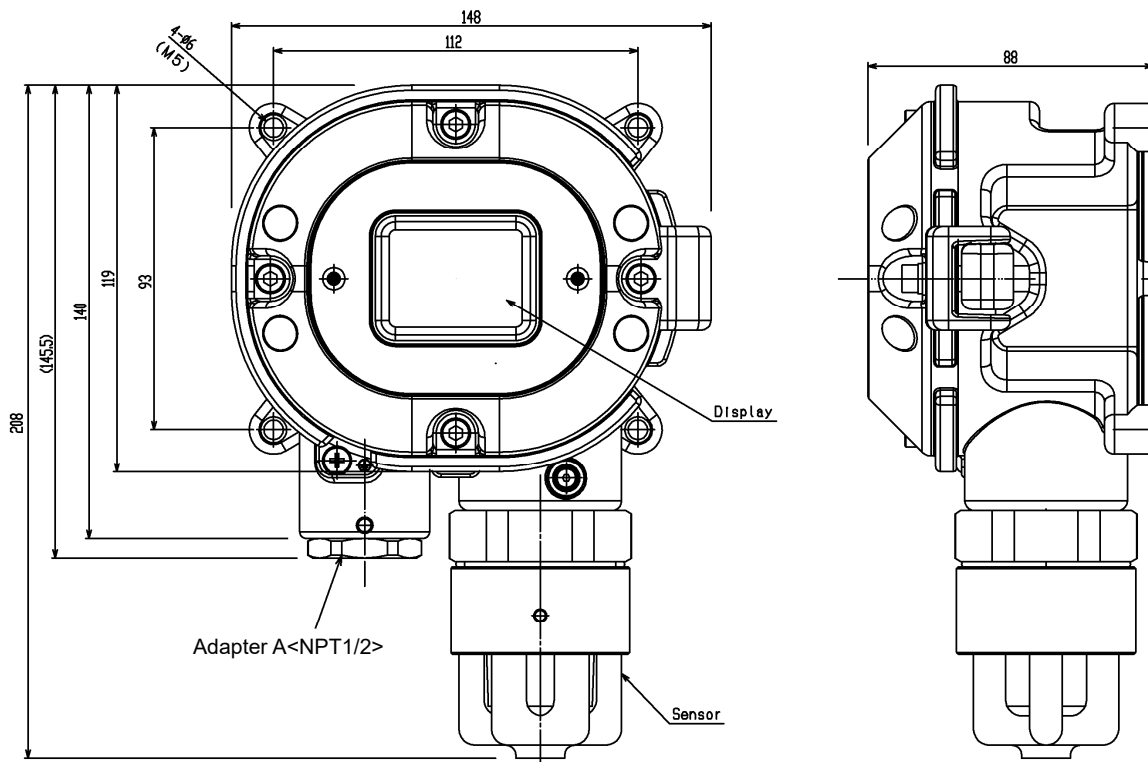
<ATEX/IECEX・Leak Alarm Specification>

Model	SD-10X
Type	TYPE HS
Detection principle	Galvanic cell method
Detection gas	O ₂
Concentration display	LED(4digits・7segments)
Detection range	0 - 50vol%
Detection method	Diffusion method
Alarm setpoints	25vol%(H) 【Standard】
Power display	POWER lamp lighting(green)
External output	Gas concentration signal (4-20mA output)
Alarm accuracy (under an identical condition)	Within ±5vol% to leak alarm(Alarm setpoint value : 25vol%)
Alarm-delay time (under an identical condition)	By leak alarm(Alarm setpoint value : 25vol%),Within 30sec after providing the gas 1.6 times.
Gas alarm type	Single alarm(H)
Gas alarm display	ALM lamp lighting(red)
Gas alarm pattern	Auto-recover
Fault alarm・Self diagnosis	System failure (E-9)/Sensor failure (E-1)
Fault alarm display	FAULT lamp lighting(yellow)/Error number display
Fault alarm pattern	System failure : Self-latching Sensor failure : Auto-recover
Transmission scheme	Three-wire analog transmission(in common with power supply<power supply,signal,common>) or Two-wire analog transmission + digital transmission(HART communication)
Transmission specification	4 - 20mADC(linear・load resistance less than 300Ω)
Communication scheme	HART 7
Transmission cable	CVVS worth of shield cable(1.25mm ²)・4-core or 3-core CVVS worth of shield cable(2.0mm ²)・4-core or 3-core
Transmission distance	Less than 1.25km in case of CVVS 1.25mm ² Less than 2.0km in case of CVVS 2.0mm ²
Functions	Alarm delay/Suppress/HART communication
Power supply	24VDC±10%
Power consumption	MAX.1.1W
Cabling port	Adapter A<NPT1/2> or adapter B<NPT3/4> or Pressure proof packing gland <G3/4> (Compatible cables φ9.6 - 13.0mm in outer diameter)
Initial clear	Approx.25sec
Operating temperature range	-10 - +40°C(non-rapidly-vary)
Operating humidity range	Less than 95%RH(non-condensing)
Structure	Wall mounting type
Explosion protected construction	Flame proof structure
Explosion-proof class	II 2 G Ex db II C T6 Gb(ATEX) / Ex db II C T6 Gb(IECEX)
SIL certified	Implemented in relation to IEC 61508:2010 Part 2 and Part 3 Conformity to SIL 2 Conformity to SIL 3 by duplicate
Dimensions	Approx.148(W)×208(H)×88(D)mm(projection portions excluded)
Weight	Approx.2.5kg
Color	Munsell 7.5BG5/2

<ATEX/IECEX・Gas Monitoring Specification>

Model	SD-10X
Type	TYPE HS
Detection principle	Galvanic cell method
Detection gas	O ₂
Concentration display	LED(4digits・7segments)
Detection range	0 - 5vol%/0 - 10vol%/0 - 25vol%/0 - 50vol%/0 - 100vol%
Detection method	Diffusion method
Alarm setpoints	Depend on detection range
Power display	POWER lamp lighting(green)
External output	Gas concentration signal (4-20mA output)
Indicate accuracy (under an identical condition)	Within ± 0.7 vol% (below 25vol% range) Within ± 3 vol% (above 25vol% range)
Response time (under an identical condition)	Within 30sec(T90)
Gas alarm type	Single alarm(H or L)
Gas alarm display	ALM lamp lighting(red)
Gas alarm pattern	Auto-recover
Fault alarm・Self diagnosis	System failure (E-9)/Sensor failure (E-1)
Fault alarm display	FAULT lamp lighting(yellow)/Error number display
Fault alarm pattern	System failure : Self-latching Sensor failure : Auto-recover
Transmission scheme	Three-wire analog transmission(in common with power supply<power supply,signal,common>) or Two-wire analog transmission + digital transmission(HART communication)
Transmission specification	4 - 20mADC(linear・load resistance less than 300 Ω)
Communication scheme	HART 7
Transmission cable	CVVS worth of shield cable(1.25mm ²)・4-core or 3-core CVVS worth of shield cable(2.0mm ²)・4-core or 3-core
Transmission distance	Less than 1.25km in case of CVVS 1.25mm ² Less than 2.0km in case of CVVS 2.0mm ²
Functions	Alarm delay/Suppress/HART communication
Power supply	24VDC $\pm 10\%$
Power consumption	MAX.1.1W
Cabling port	Adapter A<NPT1/2> or adapter B<NPT3/4> or Pressure proof packing gland <G3/4> (Compatible cables $\phi 9.6 - 13.0$ mm in outer diameter)
Initial clear	Approx.25sec
Operating temperature range	-10 - +40°C(non-rapidly-vary)
Operating humidity range	Less than 95%RH(non-condensing)
Structure	Wall mounting type
Explosion protected construction	Flame proof structure
Explosion-proof class	II 2 G Ex db II C T6 Gb(ATEX) / Ex db II C T6 Gb(IECEX)
SIL certified	Implemented in relation to IEC 61508:2010 Part 2 and Part 3 Conformity to SIL 2 Conformity to SIL 3 by duplicate
Dimensions	Approx.148(W) \times 208(H) \times 88(D)mm(projection portions excluded)
Weight	Approx.2.5kg
Color	Munsell 7.5BG5/2

Outline Drawings



<Japan Ex・Oxygen Deficiency Alarm Specification>

Model	SD-10X
Type	TYPE HS
Detection principle	Galvanic cell method
Detection gas	O ₂
Concentration display	LED(4digits・7segments)
Detection range	0 - 25vol%
Detection method	Diffusion method
Alarm setpoints	18vol%(L) 【Standard】
Power display	POWER lamp lighting(green)
External output	Gas concentration signal (4-20mA output)
Indicate accuracy* ¹ (under an identical condition)	Within ±0.7vol%
Accuracy of Alarm setpoint* ¹	Difference between Alarm setpoint and indicated value of warning alarm are zero.
Response time* ¹ (under an identical condition)	Within 30sec(T90)
Alarm-delay time* ¹ (under an identical condition)	By anoxia alarm(Alarm setpoint:18vol%), Less than 5sec. (When introducing 10 - 11vol% gas)(Without piping delay time and communication delay time.)
Gas alarm type	Single alarm(L)
Gas alarm display	ALM lamp lighting(red)
Gas alarm pattern	Auto-recover
Fault alarm・Self diagnosis	System failure (E-9)/Sensor failure (E-1)
Fault alarm display	FAULT lamp lighting(yellow)/Error number display
Fault alarm pattern	System failure : Self-latching Sensor failure : Auto-recover
Transmission scheme	Three-wire analog transmission(in common with power supply<power supply,signal,common>) or Two-wire analog transmission + digital transmission(HART communication)
Transmission specification	4 - 20mADC(linear・load resistance less than 300Ω)
Communication scheme	HART 7
Transmission cable	CVVS worth of shield cable(1.25mm ²)・4-core or 3-core CVVS worth of shield cable(2.0mm ²)・4-core or 3-core
Transmission distance	Less than 1.25km in case of CVVS 1.25mm ² Less than 2.0km in case of CVVS 2.0mm ²
Functions	Alarm delay/Suppress/HART communication
Power supply	24VDC±10%
Power consumption	MAX.1.1W
Cabling port	Pressure proof packing gland <G3/4> (Compatible cables φ9.6 - 13.0mm in outer diameter)
Initial clear	Approx.25sec
Operating temperature range	-10 - +40°C(non-rapidly-vary)
Operating humidity range	Less than 95%RH(non-condensing)
Structure	Wall mounting type
Explosion protected construction	Flame proof structure
Explosion-proof class	Ex d II C T6 X
SIL certified	Implemented in relation to IEC 61508:2010 Part 2 and Part 3 Conformity to SIL 2 Conformity to SIL 3 by duplicate
Dimensions	Approx.148(W)×208(H)×88(D)mm(projection portions excluded)
Weight	Approx.2.5kg
Color	Munsell 7.5BG5/2

*1 In conformity to JIS T8201 2010(Oxygen deficiency indicator)

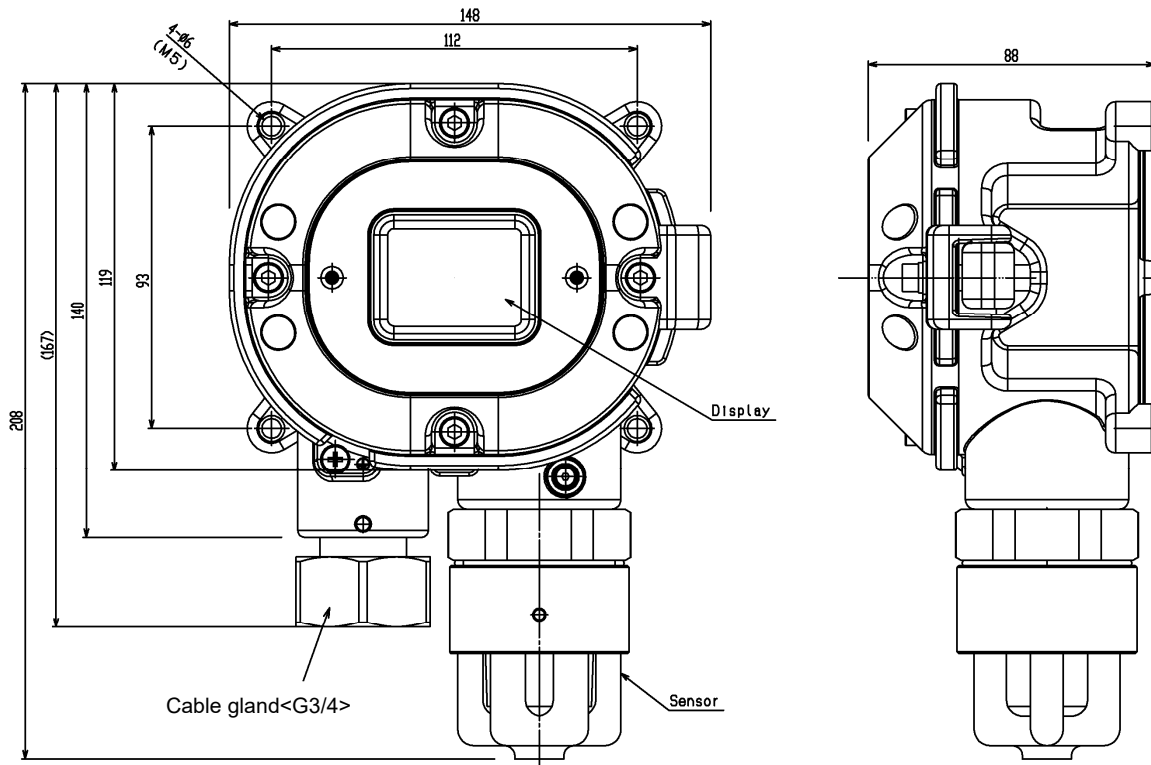
<Japan Ex・Leak Alarm Specification>

Model	SD-10X
Type	TYPE HS
Detection principle	Galvanic cell method
Detection gas	O ₂
Concentration display	LED(4digits・7segments)
Detection range	0 - 50vol%
Detection method	Diffusion method
Alarm setpoints	25vol%(H) 【Standard】
Power display	POWER lamp lighting(green)
External output	Gas concentration signal (4-20mA output)
Alarm accuracy (under an identical condition)	Within ±5vol% to leak alarm(Alarm setpoint value : 25vol%)
Alarm-delay time (under an identical condition)	By leak alarm(Alarm setpoint value : 25vol%),Within 30sec after providing the gas 1.6 times.
Gas alarm type	Single alarm(H)
Gas alarm display	ALM lamp lighting(red)
Gas alarm pattern	Auto-recover
Fault alarm・Self diagnosis	System failure (E-9)/Sensor failure (E-1)
Fault alarm display	FAULT lamp lighting(yellow)/Error number display
Fault alarm pattern	System failure : Self-latching Sensor failure : Auto-recover
Transmission scheme	Three-wire analog transmission(in common with power supply<power supply,signal,common>) or Two-wire analog transmission + digital transmission(HART communication)
Transmission specification	4 - 20mADC(linear・load resistance less than 300Ω)
Communication scheme	HART 7
Transmission cable	CVVS worth of shield cable(1.25mm ²)・4-core or 3-core CVVS worth of shield cable(2.0mm ²)・4-core or 3-core
Transmission distance	Less than 1.25km in case of CVVS 1.25mm ² Less than 2.0km in case of CVVS 2.0mm ²
Functions	Alarm delay/Suppress/HART communication
Power supply	24VDC±10%
Power consumption	MAX.1.1W
Cabling port	Pressure proof packing gland <G3/4> (Compatible cables φ9.6 - 13.0mm in outer diameter)
Initial clear	Approx.25sec
Operating temperature range	-10 - +40°C(non-rapidly-vary)
Operating humidity range	Less than 95%RH(non-condensing)
Structure	Wall mounting type
Explosion protected construction	Flame proof structure
Explosion-proof class	Ex d II C T6 X
SIL certified	Implemented in relation to IEC 61508:2010 Part 2 and Part 3 Conformity to SIL 2 Conformity to SIL 3 by duplicate
Dimensions	Approx.148(W)×208(H)×88(D)mm(projection portions excluded)
Weight	Approx.2.5kg
Color	Munsell 7.5BG5/2

<Japan Ex・Gas Monitoring Specification>

Model	SD-10X
Type	TYPE HS
Detection principle	Galvanic cell method
Detection gas	O ₂
Concentration display	LED(4digits・7segments)
Detection range	0 - 5vol%/0 - 10vol%/0 - 25vol%/0 - 50vol%/0 - 100vol%
Detection method	Diffusion method
Alarm setpoints	Depend on detection range
Power display	POWER lamp lighting(green)
External output	Gas concentration signal (4-20mA output)
Indicate accuracy (under an identical condition)	Within ± 0.7 vol% (below 25vol% range) Within ± 3 vol% (above 25vol% range)
Response time (under an identical condition)	Within 30sec(T90)
Gas alarm type	Single alarm(H or L)
Gas alarm display	ALM lamp lighting(red)
Gas alarm pattern	Auto-recover
Fault alarm・Self diagnosis	System failure (E-9)/Sensor failure (E-1)
Fault alarm display	FAULT lamp lighting(yellow)/Error number display
Fault alarm pattern	System failure : Self-latching Sensor failure : Auto-recover
Transmission scheme	Three-wire analog transmission(in common with power supply<power supply,signal,common>) or Two-wire analog transmission + digital transmission(HART communication)
Transmission specification	4 - 20mADC(linear・load resistance less than 300 Ω)
Communication scheme	HART 7
Transmission cable	CVVS worth of shield cable(1.25mm ²)・4-core or 3-core CVVS worth of shield cable(2.0mm ²)・4-core or 3-core
Transmission distance	Less than 1.25km in case of CVVS 1.25mm ² Less than 2.0km in case of CVVS 2.0mm ²
Functions	Alarm delay/Suppress/HART communication
Power supply	24VDC $\pm 10\%$
Power consumption	MAX.1.1W
Cabling port	Pressure proof packing gland <G3/4> (Compatible cables $\phi 9.6 - 13.0$ mm in outer diameter)
Initial clear	Approx.25sec
Operating temperature range	-10 - +40°C(non-rapidly-vary)
Operating humidity range	Less than 95%RH(non-condensing)
Structure	Wall mounting type
Explosion protected construction	Flame proof structure
Explosion-proof class	Ex d II C T6 X
SIL certified	Implemented in relation to IEC 61508:2010 Part 2 and Part 3 Conformity to SIL 2 Conformity to SIL 3 by duplicate
Dimensions	Approx.148(W) \times 208(H) \times 88(D)mm(projection portions excluded)
Weight	Approx.2.5kg
Color	Munsell 7.5BG5/2

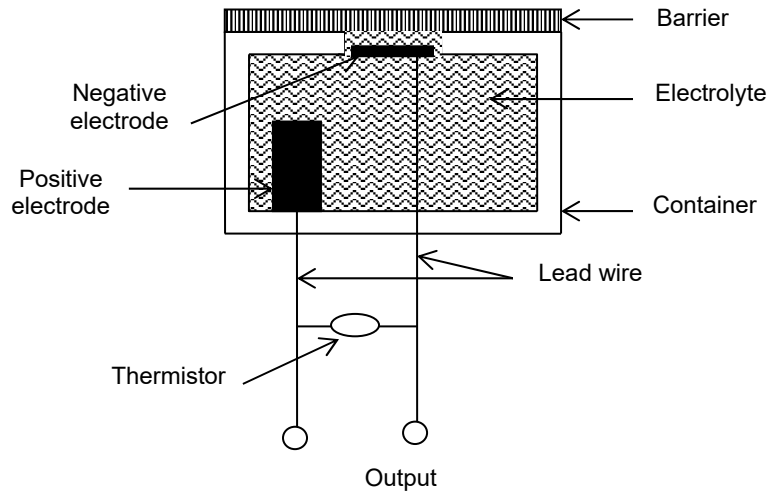
Outline Drawings



10-2. Detection principle

[Detection principle]

A negative electrode of noble metal and a positive electrode of lead are placed in a resin container filled with electrolyte. A part of the container is opened and covered with a barrier. The negative electrode is installed in contact with the barrier. Lead wires are drawn from the positive and negative electrodes to obtain outputs. A thermistor is connected between the lead wires to perform temperature compensation for the sensor outputs.



11

Definition of Terms

Galvanic cell type	This is a principle of the sensor installed in the detector head. See "10-2. Detection principle" for details.
Initial clear	Output from the detector head fluctuates for a while after turning on the power. This is a function to prevent triggering alarm during that time.
Full scale	Maximum value of the detection range.
vol%	A unit used to express the percentage of a specific substance (or gas) in a volume of solution.
Atmosphere	An atmosphere with a temperature within the range of -10 to 40°C and a humidity of 95% RH or less at one atmospheric pressure (1013 hPa).
Calibration	Adjusts the readings to the calibration gas concentration value by using the calibration gas.
Zero suppression	A function to cut off the specific drifting that the sensor has.
Alarm delay time	A function which temporarily suspends activation to prevent a false alarm caused by noise from its outside.
INHIBIT	The gas detection function is temporarily suspended during maintenance etc. of the detector. This is also called "point skip", which has the same function.
IEC 61508	International standard on functioning safety of electrical, electronics and programmable electronic in process industry established by IEC (International Electrotechnical Commission)
Functional safety	Ensuring levels of safety that it acceptable that implements functional device(functions that safety are secured) to the final products.
SIL	Measure that safe performance of indicator and systems in IEC 61508.
HART communication	4-20mA DC signal digitals signalling is superimposed, and is methods that transmit multiple signals.